

COMPATIBILITY

- Lopi Sweet Dreams Stove

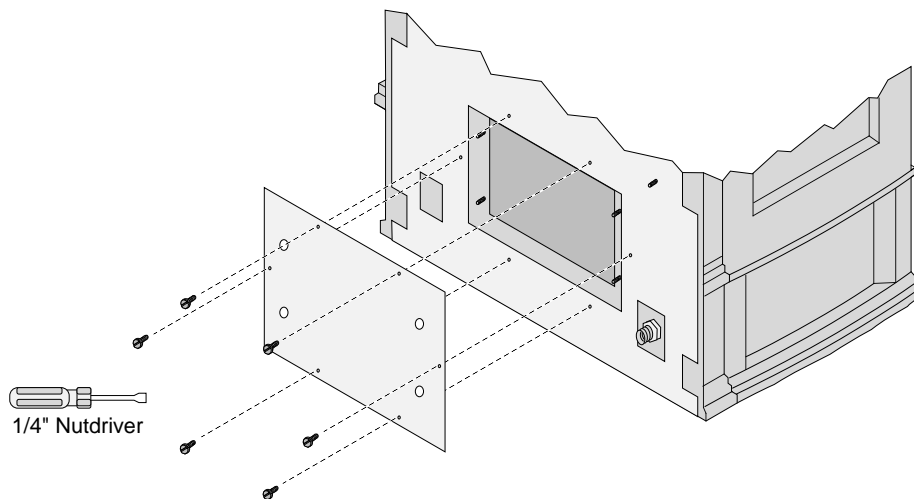
PACKING LIST

- Blower with Mounting Plate
- Four (4) # 8-32 Center Lock Nuts
- Four (4) Grommets & Bushings
- Four (4) #8 Washers
- Wiring Harness with Strain Relief Plate & Power Cord
- Two (2) # 8 x 3/8" HWHSSMS Screws
- Rheostat with Nut, Washer, and Knob

INSTALLATION INSTRUCTIONS

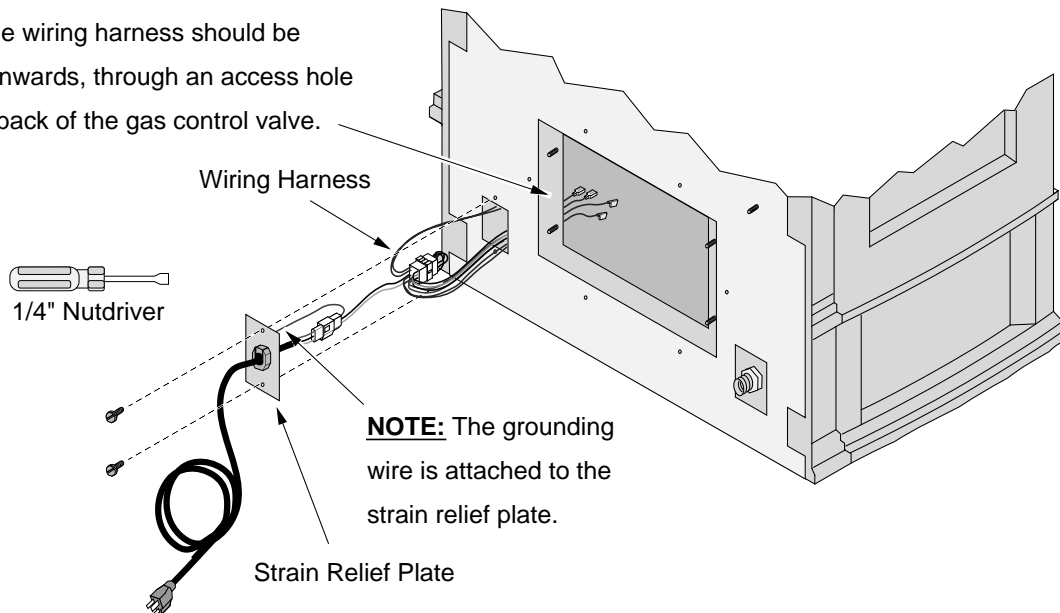
WARNING: Make sure the gas has been shut off, power disconnected, and the appliance is cool prior to conducting service.

- 1 Remove the access panel on the back of the stove.

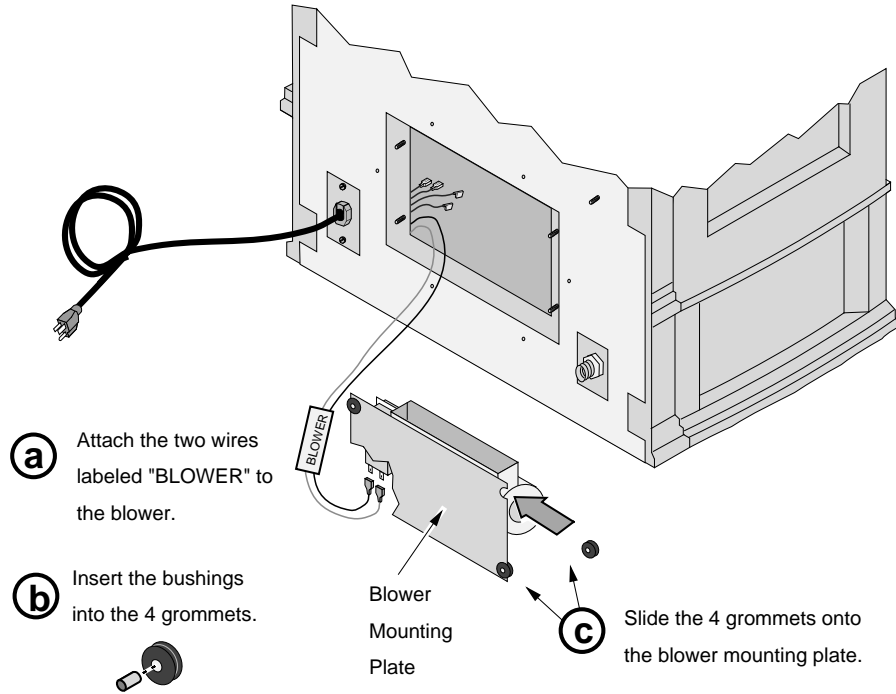


- 2 Insert the wiring harness, with strain relief plate attached, through the hole on the back of the stove. Then attach the strain relief plate to the back plate with the included screws.

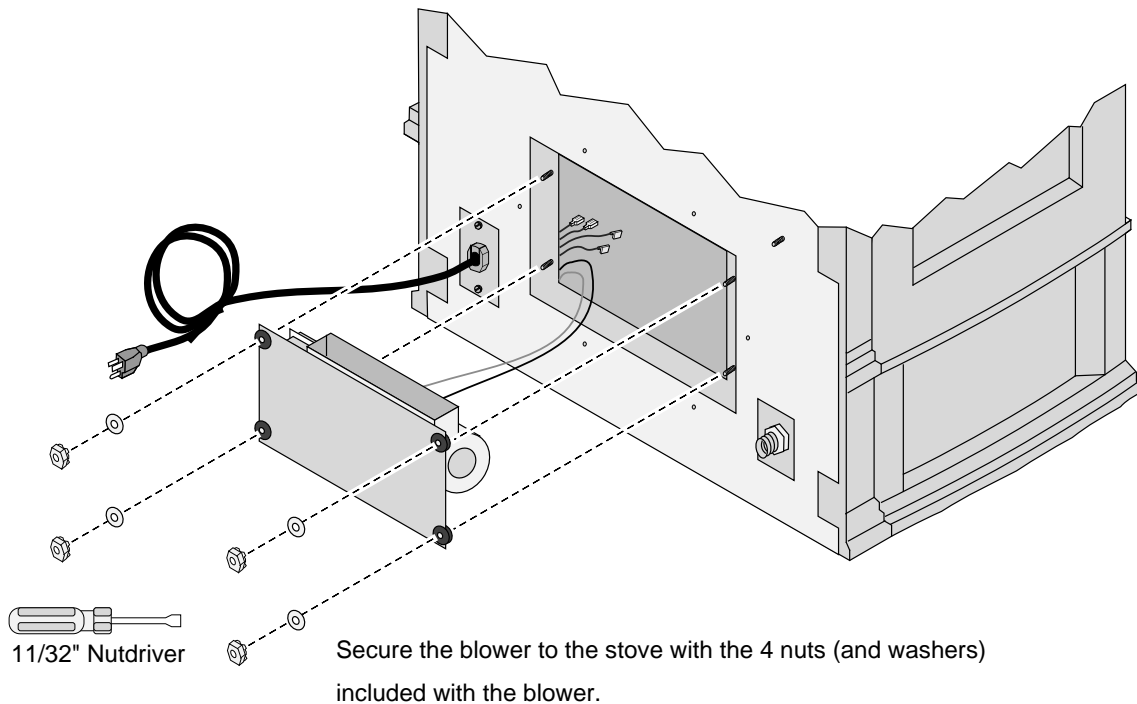
NOTE: the wiring harness should be directed inwards, through an access hole near the back of the gas control valve.



3 Attach the blower wires and grommets following the directions below.

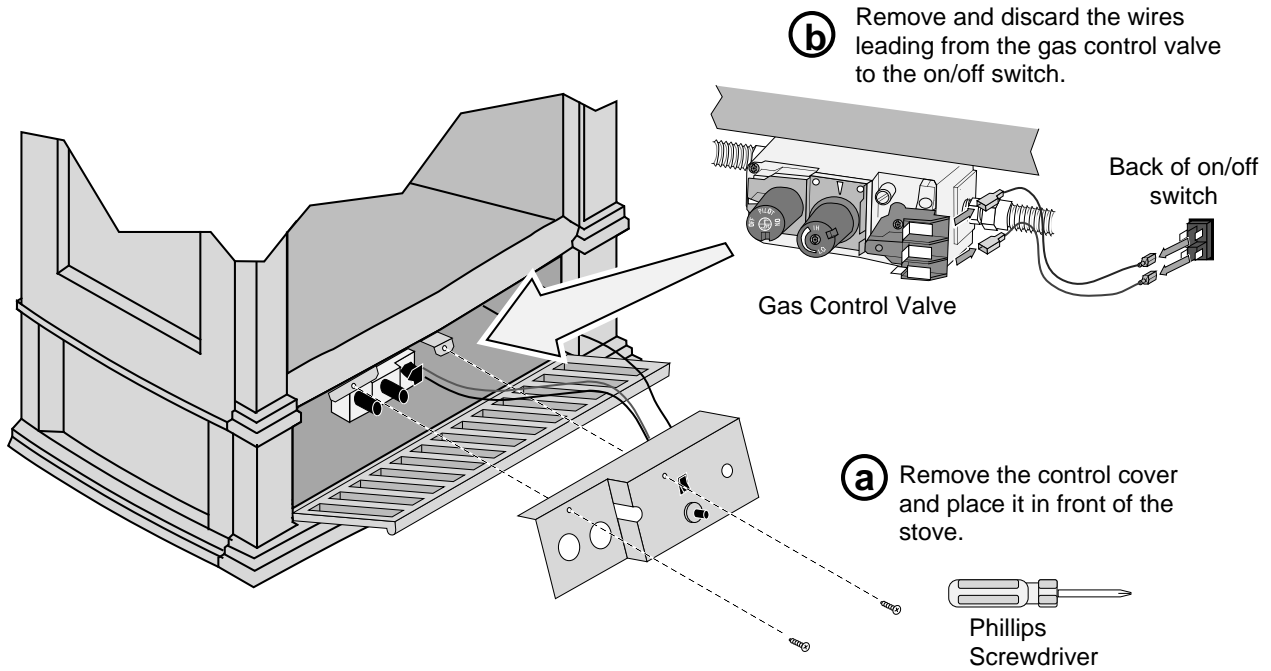


4 Attach the blower (with blower plate) following the directions below.

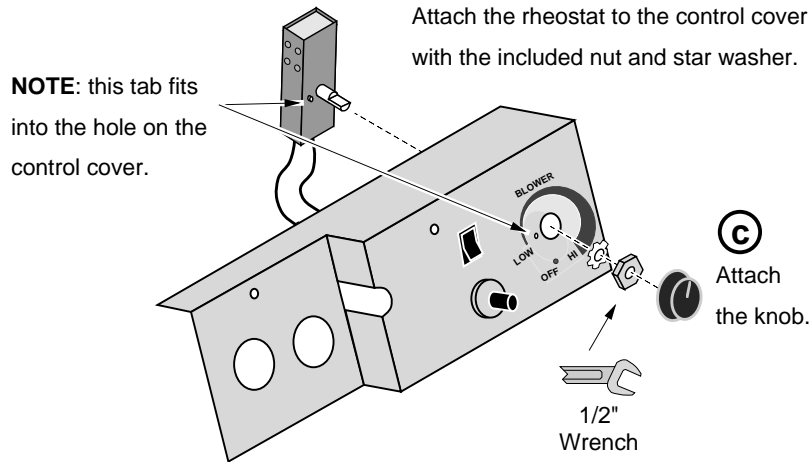


5 Replace the access panel (see step # 1 above).

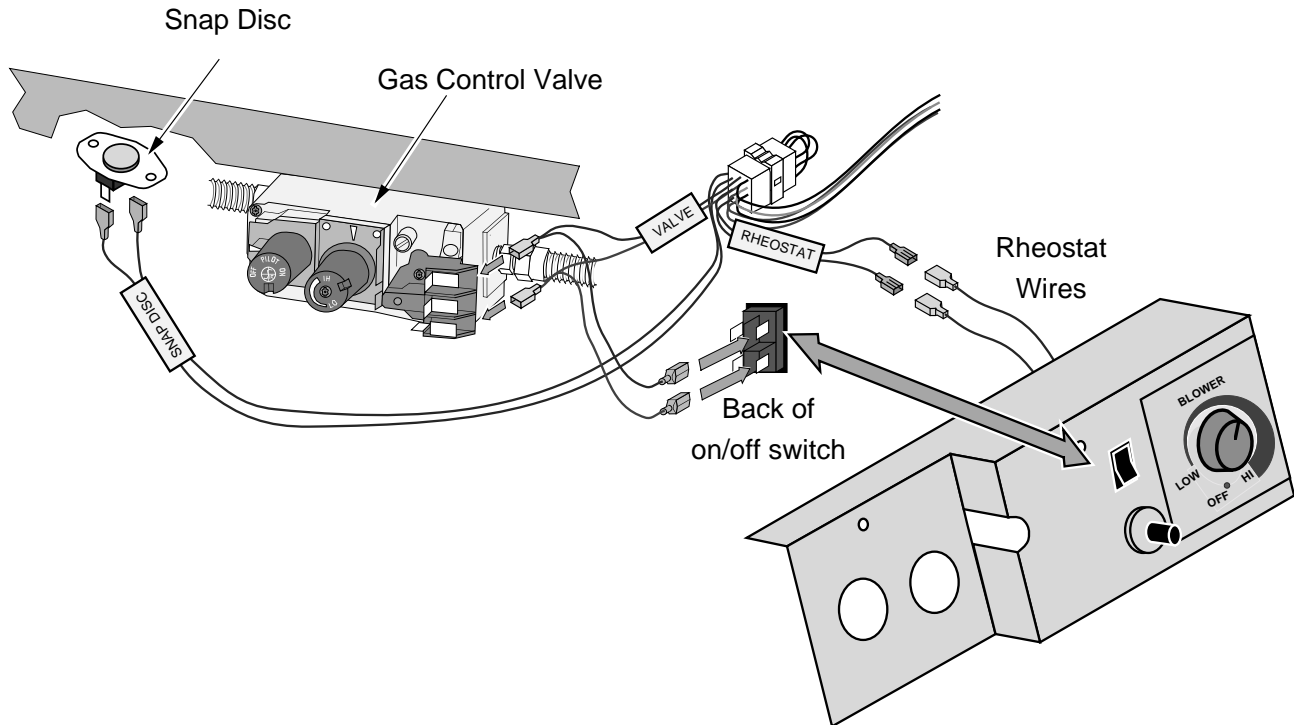
6 Remove the control cover and discard the on/off wires following the directions below.



7 Install the rheostat onto the control cover.



- 8 Attach the wiring harness to the gas control valve, on/off switch, rheostat, and snap disc switch following the directions below.



- 9 Position the wiring harness under the burner and re-attach the control cover (see step # 6 above). Make sure the wiring harness does not contact the burner or blower.
- 10 Turn on the appliance and check operation (the blower will not turn on until the stove is at full temperature – 15 minutes on high).